

**2008**



**2009**

**SNOWDOGG™**

S N O W P L O W S



**SnowDogg**  
Drivers 



# MD Series

Typical Application: ½-Ton and Light-Duty Trucks, SUV's



# HD/EX Series

Typical Application: Plow Prep. ½-Ton, ¾-Ton, & 1-Ton Trucks



## Half the weight, all the quality.

- The standard HT300 power unit for ease of service, reliable and fast performance.
- The same aggressive curvature and attack angle as the HD/EX series
- The same easy to use foot pedal mounting & adjustable jack mechanism.
- Super bright plow lights with double stud mounts
- Standard 3/8" cutting edge
- Brushed stainless moldboard
- Standard cast iron plow shoes
- Standard poly deflector

### D E T A I L E D   S N O W D O G G <sup>™</sup>   S N O W   P L O W   S P E C S

MODEL	WIDTH	BLADE HEIGHT	MATERIAL	THICKNESS	ANGLE CYLINDERS	KINGPIN SIZE	WIDTH AT ANGLE	RIBS	SPRINGS	TRIP STYLE	CUTTING EDGE	WEIGHT <sup>1</sup>	DEFLECTOR	SHOES
<b>MD68</b>	80"	24"	SS	.060"	1½" x 10"	1"	71"	6	2	Full	3/8" x 6"	380 lbs.*	Std.	Cast
<b>MD75</b>	90"	24"	SS	.060"	1½" x 10"	1"	79"	8	2	Full	3/8" x 6"	400 lbs.*	Std.	Cast
<b>HD75</b>	90"	29"	SS	.105"	1½" x 12"	1⅝"	78"	9	4	Full	3/8" x 6"	680 lbs.	Std.	Cast
<b>EX75</b>	90"	31"	SS	.105"	1½" x 12"	1⅝"	78"	9	4	Full	1/2" x 6"	745 lbs.	Std.	Cast
<b>EX80</b>	96"	31"	SS	.105"	1½" x 12"	1⅝"	83"	9	4	Full	1/2" x 6"	765 lbs.	Std.	Cast
<b>EX85</b>	102"	31"	SS	.105"	1½" x 12"	1⅝"	88"	9	4	Full	1/2" x 6"	785 lbs.	Std.	Cast
<b>EX90</b>	108"	31"	SS	.105"	1½" x 12"	1⅝"	94"	9	4	Full	1/2" x 6"	805 lbs.	Std.	Cast

<sup>1</sup>WEIGHT NOT INCLUDING TRUCK MOUNT, 40-80LBS. TYPICAL WEIGHT; \* NOT INCLUDING SHOES

# HD/EX Series



**1** 1/4" Laser cut steel ribs with 2" cross tube & HD channel spreads loads across components not connection points



**2** Covered Power Unit / Hydraulics

FULL SIZE SAE STANDARD CARTRIDGE VALVES - less contamination, easily serviced, & increased reliability  
 OVERSIZED 3/8" 2-WIRE RUBBER HOSES - provides UV resistance for durability & more power to the plow  
 INTEGRAL VALVE MANIFOLD - eliminates unnecessary hoses & fittings for less maintenance



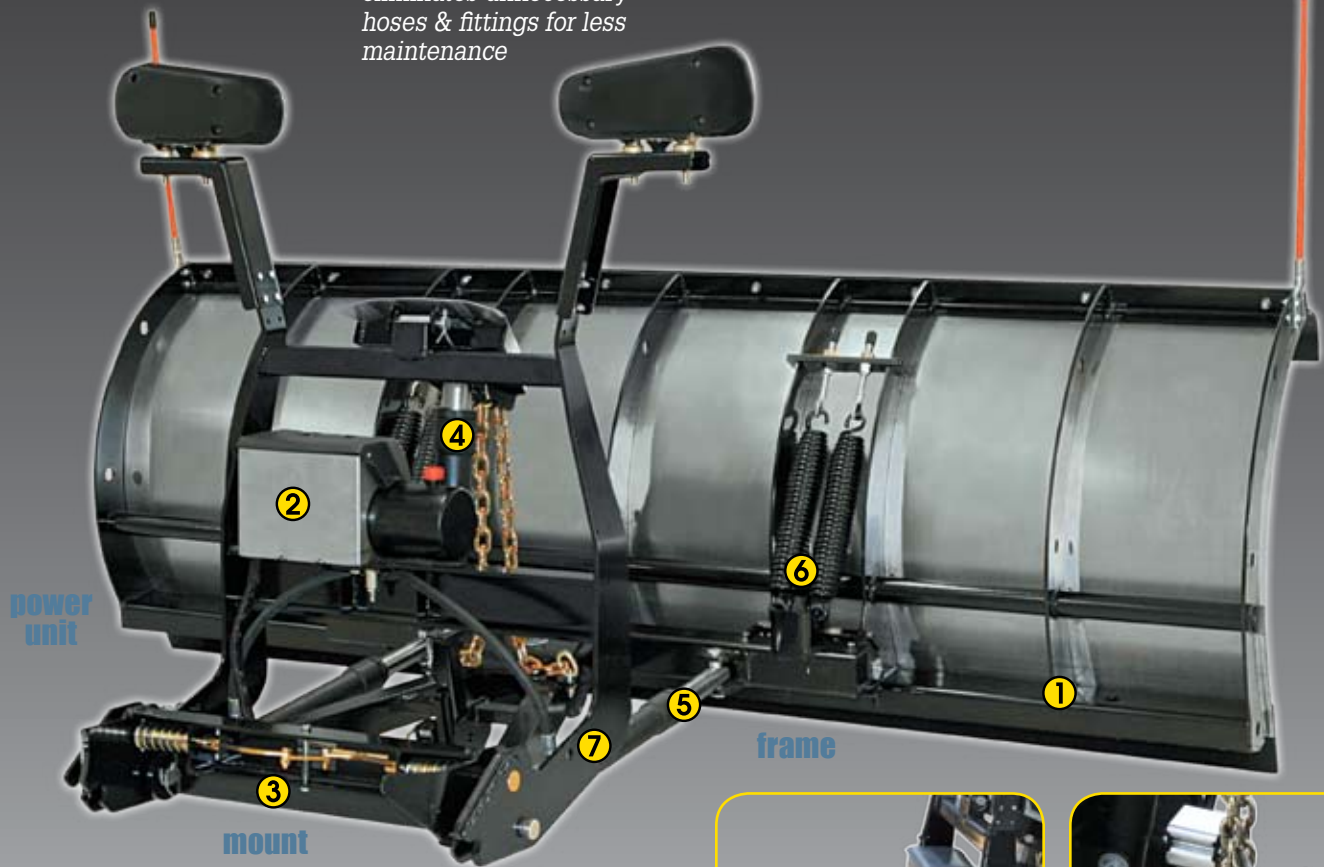
**3** Quick Attach/ Detach Mounting

easy to use over center linkage operated locking pins with foot pedal



**4** Lift Arm

35° travel provides exceptional snow stacking. 2" x 6" lift cylinder is rated at nearly twice the force of smaller 1 1/2" cylinders



power unit

frame

mount



**5** 1 1/2" x 12" Angle Cylinders - delivers greater angling force than standard cylinders



**6** 4 Stress Optimized Trip Springs - provide up to 85° of smooth moldboard tripping action to ensure plow glides over obstacles



**7** Contoured Lift Frame - for greater ground clearance



Adjustable/Removable Jack Stand - maximum flexibility for a wide range of mounting conditions and surfaces



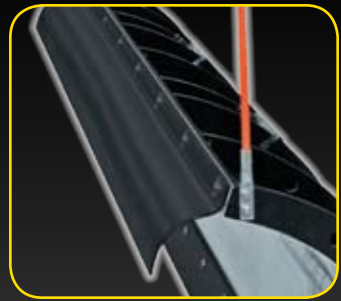
**9** **Moldboard**  
tough stainless steel  
corrosion free moldboard



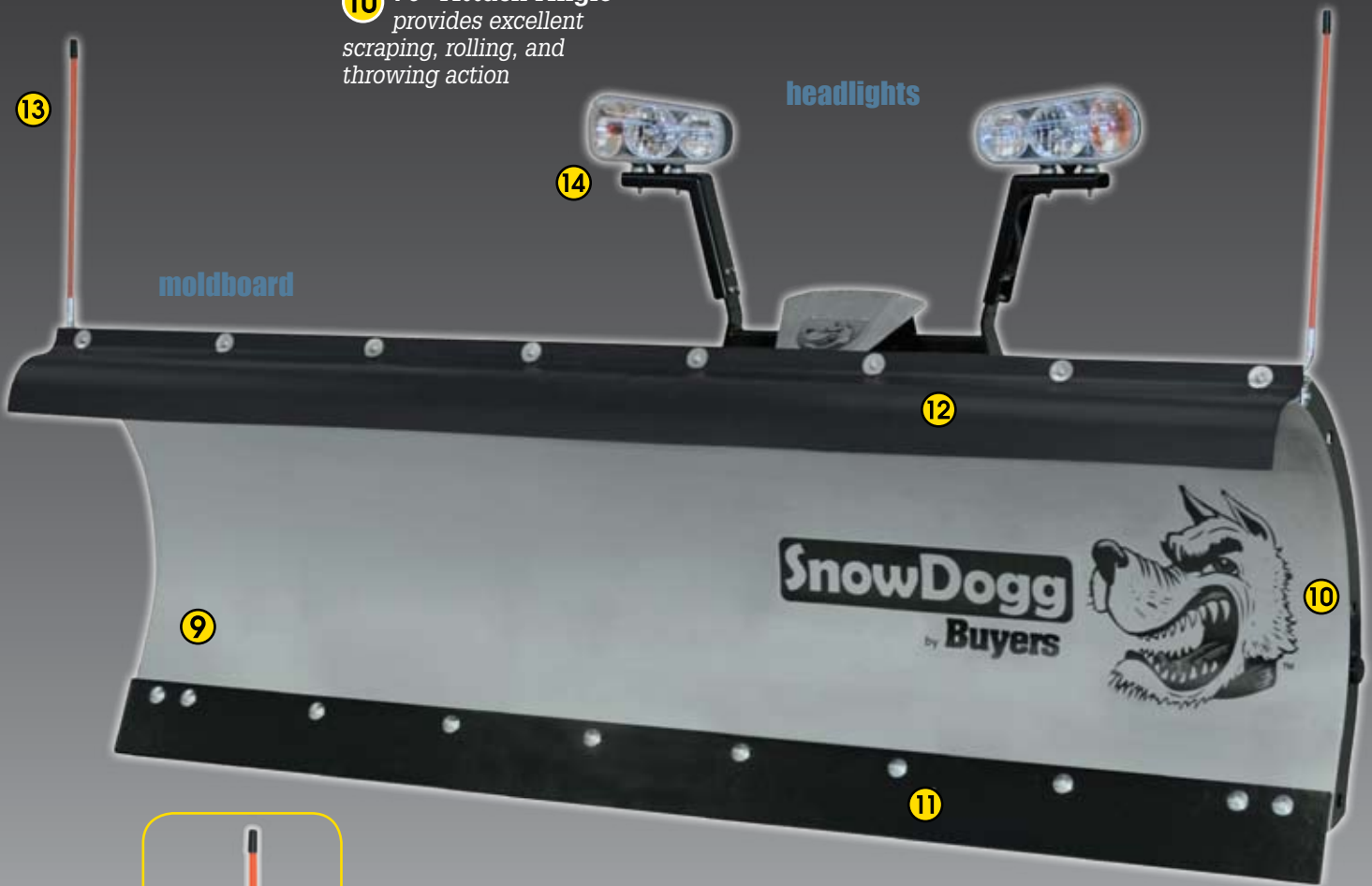
**10** **70° Attack Angle**  
provides excellent  
scraping, rolling, and  
throwing action



**11** **1/2" Cutting Edge**  
means less time in the  
shop, and more time on the  
road



**12** **Snow Deflector**  
poly snow deflector,  
standard



**13**

moldboard

headlights

**14**

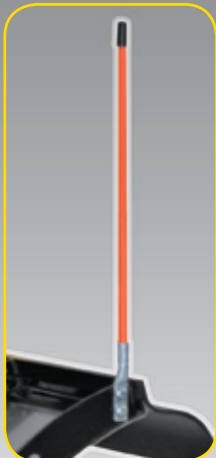
**12**

**9**

**SnowDogg**  
by Buyers

**10**

**11**



**13** **Blade Guides**  
wire reinforced blade  
guides, standard



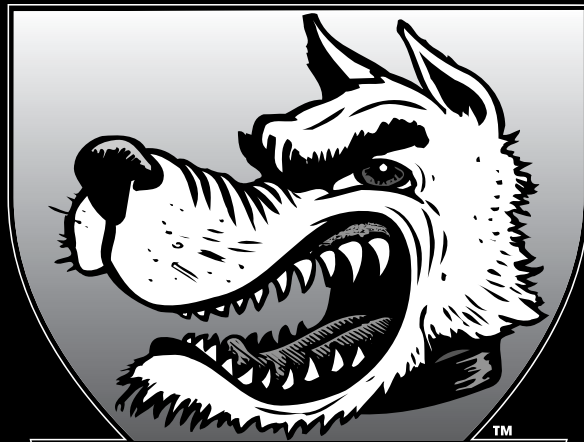
**14** **Plow Lights**  
powerful, dual beam  
halogen plow lights with  
secure double post mounts



**15** **Digital Controller**  
provides comfortable  
one hand operation.  
Oversized illuminated  
buttons are glove and night  
friendly

controller

# DO IT WITH A DOGG™...



**SnowDogg™**

by **Buyers**

Your Authorized SnowDogg™ Distributor